



**WESTMINSTER**  
COLORADO

**WATER2025**

Design Working Group Meeting 5

Tuesday, March 2, 2021

# Agenda

1. Welcome: 11:35
2. Project Updates: 11:40 – 11:50
3. Site Plan Discussion: 11:50 – 12:10
4. Architecture Discussion: 12:10 – 12:45
5. Public Outreach Discussion: 12:45 – 12:55
6. Next Steps: 12:55
7. Meeting Ends: 1:00

# Welcome

- Thank you for your continued patience
- Recording meeting for group members that can't attend
- Will be following up with a recording of the meeting
- Any issues? Don't hesitate to let us know
- New member
- Project team update

# 2022 Rates Update

- March 15 City Council Meeting
- 2022 Policy Adjustments
  - Improved Billing
  - Using the City's Utility Savings Account to Provide Revenue
  - Delaying Infrastructure Investments to Reduce Costs
    - WATER2025 is highest priority
  - Market-Based Financial Projections to Reduce Costs
- [www.westywaterrates.us](http://www.westywaterrates.us)

# WATER2025 Project Updates

- Pilot Plant results in saving the City money on construction. Pilot tested fire water and verifies process at full scale.
- Preliminary Design is approximately 30% complete. On-track to complete a report to submit to the State this summer.
- Staff preparing for construction phase. Meeting with potential General Contractors.
- Raw Water Line is under design!
- Staff will issue a Request for Proposal for the finished water pipeline in Q2 2021.
- Signage
- Reports and Trail



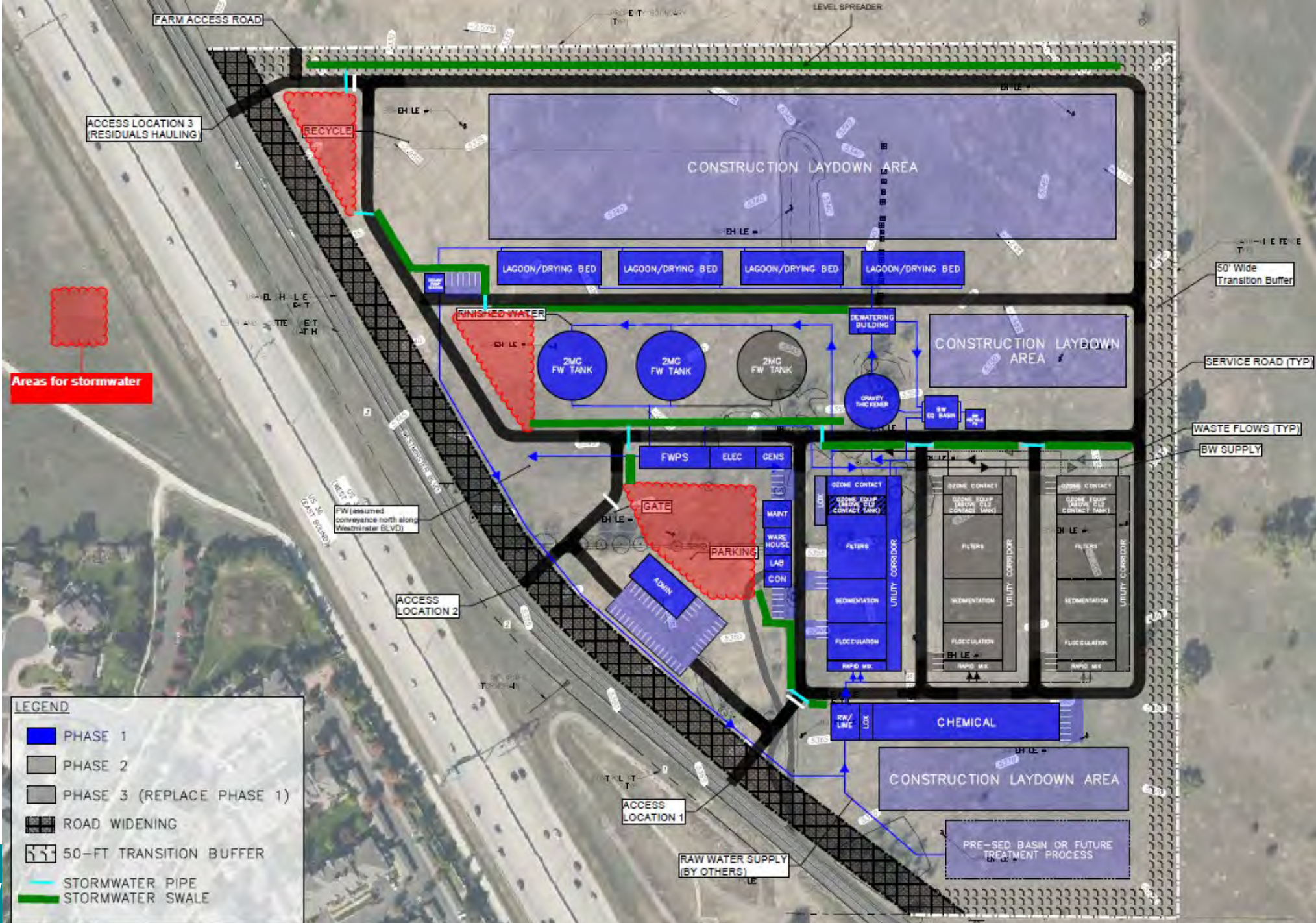
# Questions Check-in

# Site Plan Discussions

# Water 2025 Draft Site Plan

- Water 2025 Program plans for full build-out of the site
  - 60 MGD with space for constructability
  - Time frame - 2040
- Water 2025 will be constructed in phases
  - Phase 1 - 2023 to 2025. Focus on 30 MGD of treatment
  - Phase 2 - 2035 to 2040. Focus on more treatment and admin building.
  - Future Phases - Plant R&R and other upgrades
- “Bodies of Water”
  - Solids Handling Lagoons
  - Stormwater Needs







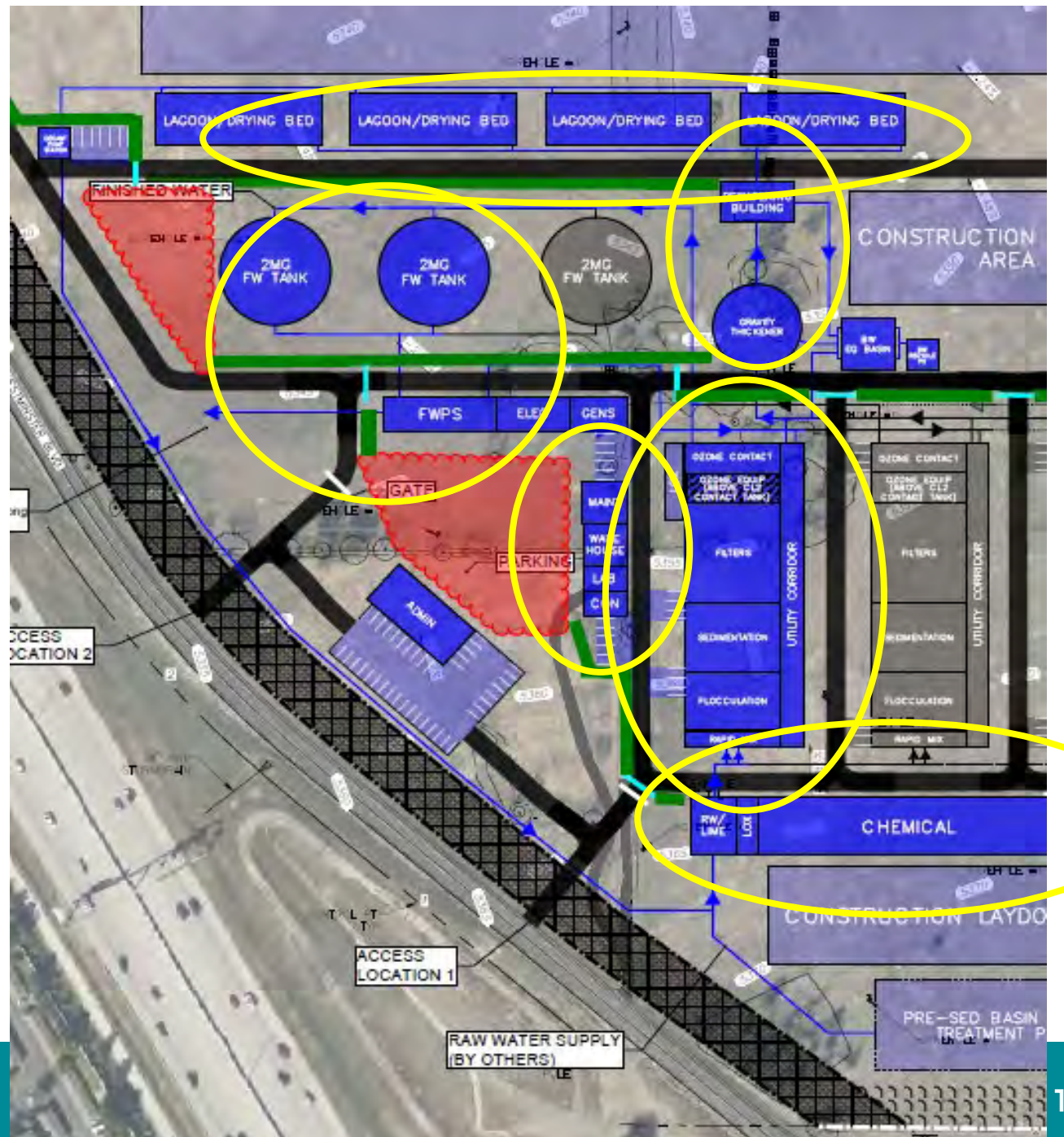
# Water 2025 Phase I

Focus on 30 MGD of treatment

- includes chemical storage and feeding equipment
- Electrical service and equipment
- Control room
- Water tanks and pump station
- Solids handling

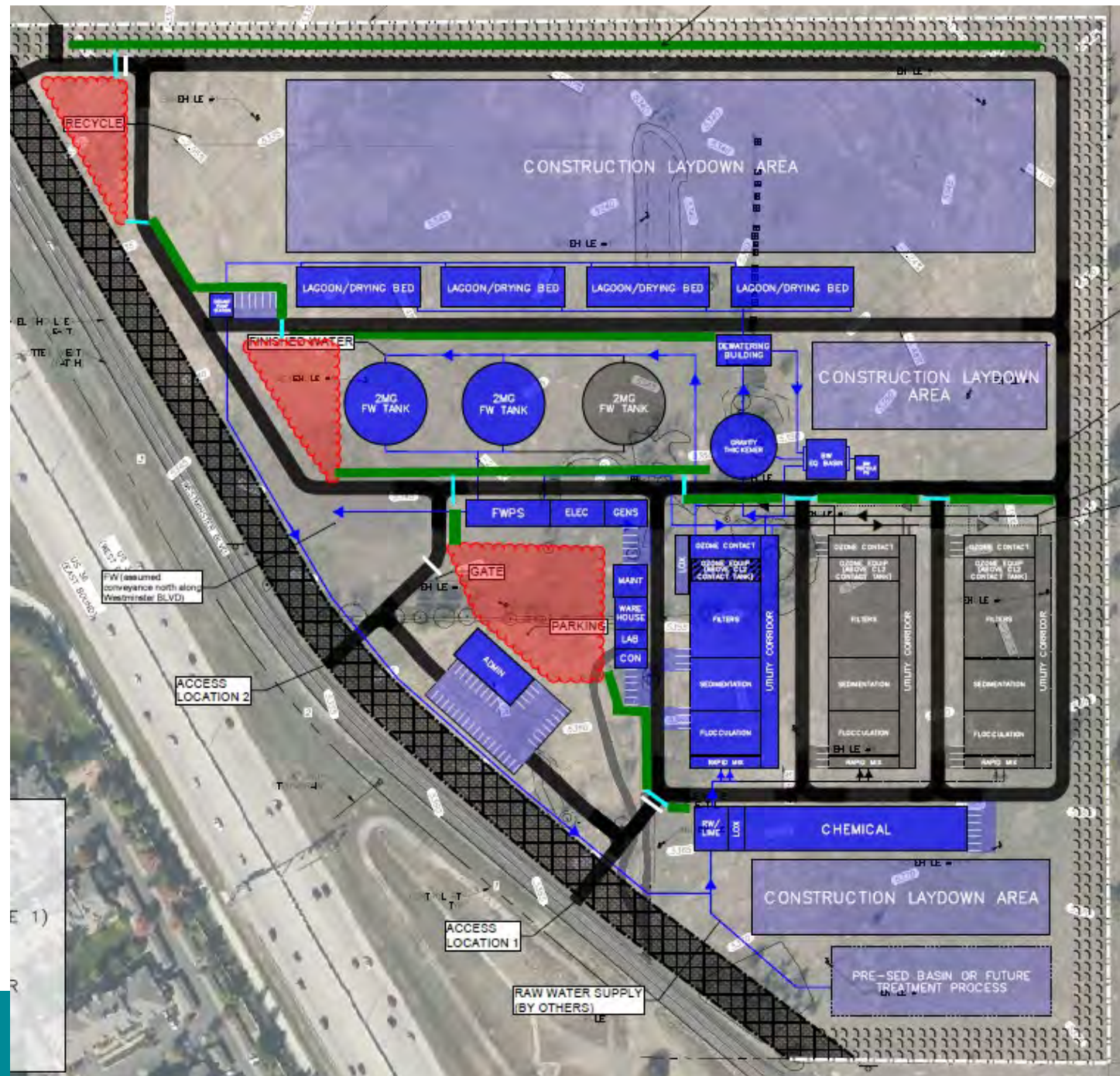
Stormwater Management

- Red triangles





# Construction Laydown Areas



# Comments and Discussion

- Thoughts from the group?

# Architecture – Continuing Discussion

# Architecture

- Previous discussions resulted in a strong preference for lighter colored stone façade
- Today's discussion is on form
- Focus is on treatment building
- Other site buildings will complement/mimic the treatment building



Decant PS

Residuals Lagoons

Construction Laydown

Dewatering Building

FW Tank

FW Tank

FW Tank

Construction Laydown

Recycle PS

BW "EQ" Basin

FWPS

Maintenance Building

Treatment Trains

Admin Building

Chemical Building

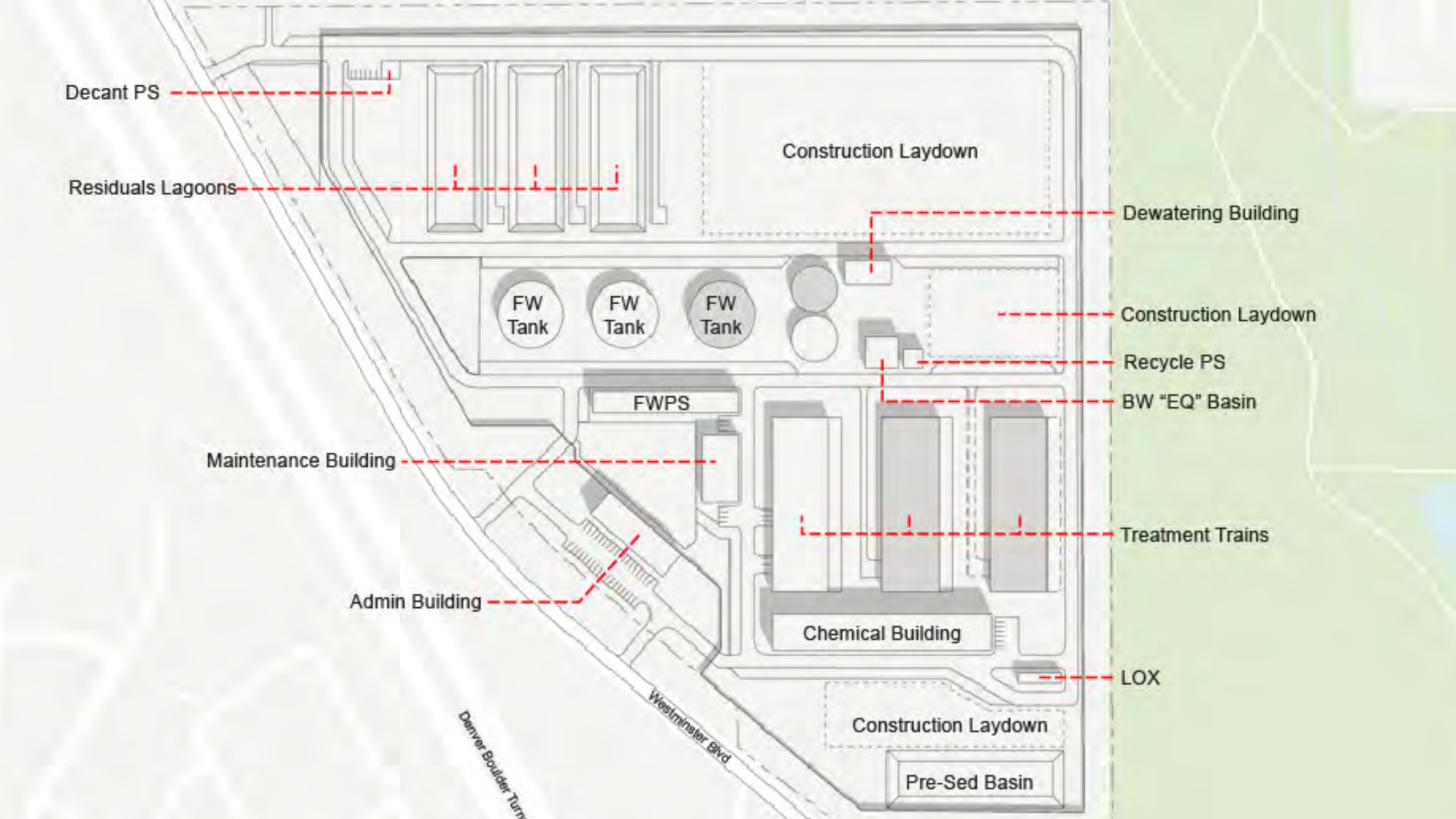
LOX

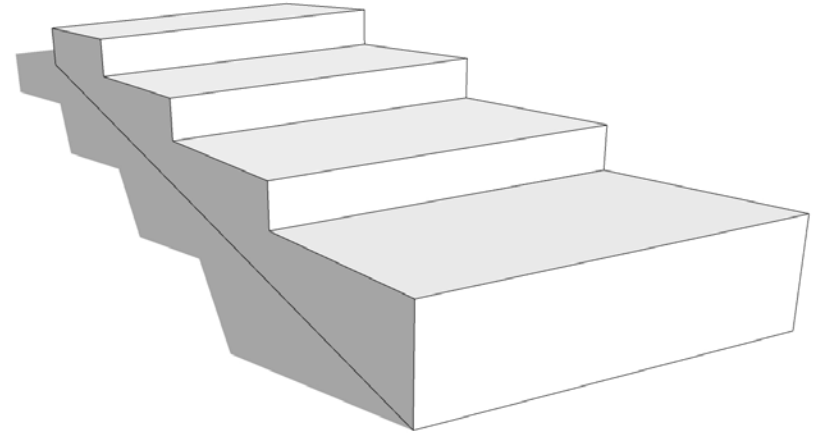
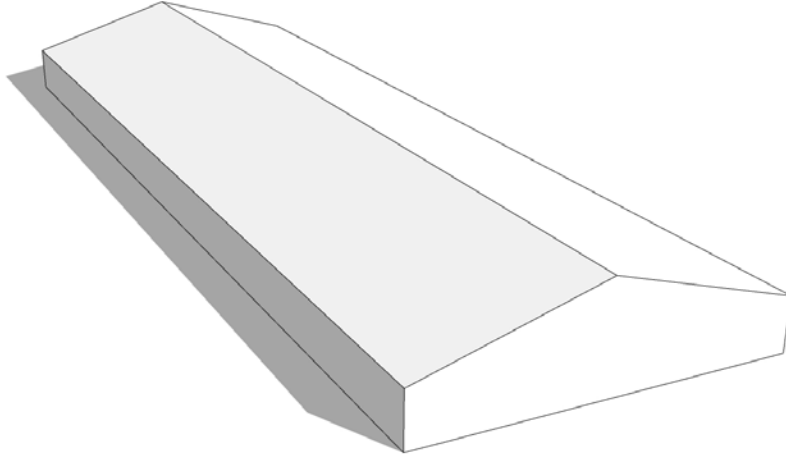
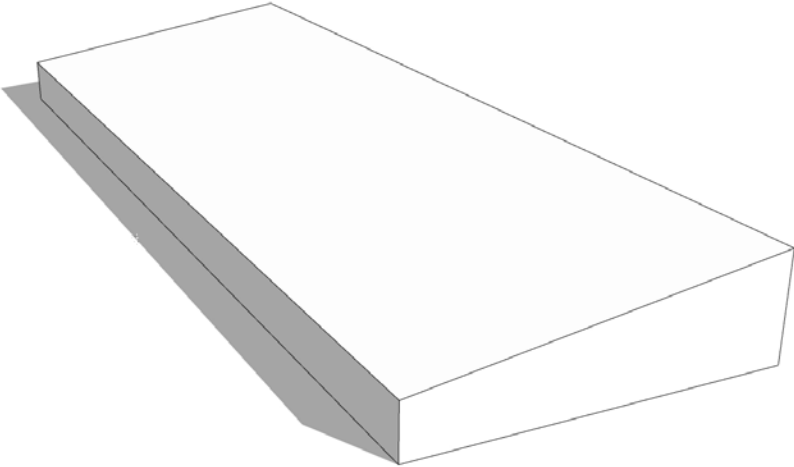
Construction Laydown

Pre-Sed Basin

Denver Boulder Turn

Westminster Blvd









WESTONKSTER WATER



WESTMINSTER WATER





**WESTMINSTER WATER**























# Voting

Which form do you prefer?

Option 1



Option 2



Option 3



# Comments and Discussion

# Public Outreach Discussion

# Public Outreach

- Timing: April – June
- Content and Input
  - Project overview
  - Design concepts
    - Ready for public review?
    - One option or multiple?
    - Informing?

# Public Outreach

- Who should we reach out to?
  - Standard channels (bill insert, social media, etc)
  - Postcard to neighbors
  - Who else?

# Public Outreach

- Virtual meetings
  - Attend meetings
  - Represent the Design Working Group
  - Provide background



# Next Steps

- Will follow up with recording of meeting
- Next meeting timing
- Feel free to call or email any of us





© Google Earth  
2020





© Google Earth





©Google Earth